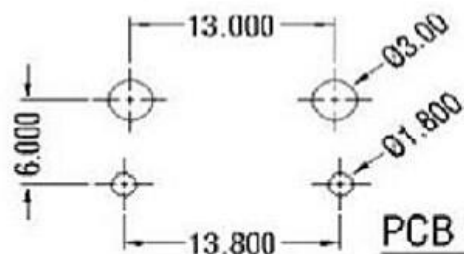


SECTION: A-A



MARK



PCB LAYOUT

SPEC:

A. Material:

1. Housing: PC

2. Terminal: COPPER ALLOY, TIN PLATED

B. Electrical Characteristics:

1. Rating: 2.5A 250V~

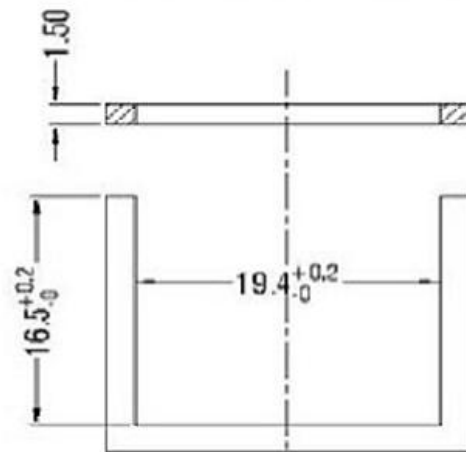
(UL, CUL, CCC, VDE, SEMKO, NEMKO, FIMKO, DEMKO, K)

2. Electric Strength: AC 2,000 V FOR ONE MINUTE

3. Insulation Resistance: 100MΩ MIN, AT 500V DC

C. Approvals:

UL, CUL, CCC, VDE, SEMKO, NEMKO, FIMKO, DEMKO, KC



PANLE CUT-OUT

				普通公差 COMMON TOLERANCE:	 东莞市高迪电子有限公司				
				UP TO 5 ±0.20					单位 mm
				ABOVE 5 TO 30 ±0.30	绘图	核 对	型 号		
				ABOVE 30 ±0.50	DRAWN BY	林晓良	MODEL NO.		
REV.	DATE	REVISION DESCRIPTION	ISSUE	ANGULAR ±5°	日期	19. 08. 12	料 号	KD-AC电源插座	
						核 准	PART NO.		